

Table of Contents

Before You Begin	2
K1-F-S Installation	3
K1-TS-S & K1-A1-S Installation	6
K2-A1-S Installation	11
K1-UC-S (Under-Cabinet Mount) Installation	15
Specifications	19

Before You Begin



Do not attempt to install this product if you do not understand the instructions or if there are missing or defective parts. Improper installation may result in property damage or in personal injury.

What You Will Need:

- Stud Finder
- Phillips Screwdriver
- Electric Drill
- 1/8" Drill Bit

- 9/16" Wrench (K1-F-S only)
- 1/2" Wrench (K2-A1-S only)
- 1/4" Drill Bit (K1-UC-S only)

To start installation, go to the section pertaining to your specific model. You can find the page number in the Table of Contents.

K1-F-S Installation Instructions

Attach the Screen Plate to the Screen



Caution: *With the screen plate in place, test the screw length to ensure that they do not extend past the screen hole depth and damage the screen.*

1. Position the screen plate on the screen as shown.
2. Attach the plate with the original screen screws. If they are not long enough to securely mount the screen, try the included screws.



Attach the Wall Plate to the Wall

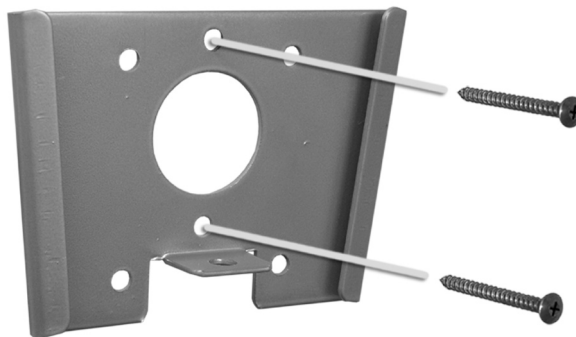


Concrete anchors are not provided. To mount to a brick or concrete wall, purchase concrete anchors to accommodate the provided screws.

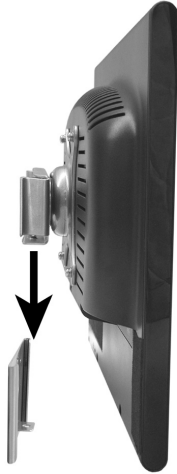


When mounting to a drywall or plaster wall, you should attach the wall plate to a 2X4 or larger wood stud to avoid property damage or personal injury.

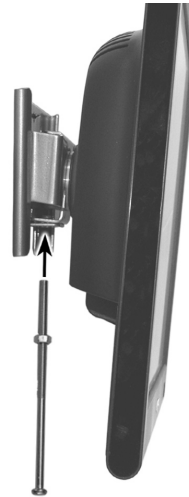
1. Locate a stud in the wall where you want to mount the screen.
2. Drill pilot holes with a 1/8" drill bit.
3. Attach the wall plate to a stud using the provided black 2" long screws.



Attach the Screen to the Wall Plate



1. Push the screen plate against the wall plate and then let it slide down into place.



2. Fasten the screw through the screw hole in the bottom of the bracket until it seats against the nut.

K1-TS-S & K1-A1-S Installation

Attach the Screen Plate to the Screen



Caution: *With the screen plate in place, test the screw length to ensure that they do not extend past the screen hole depth and damage the screen.*

1. Position the screen plate on the screen as shown.
2. Attach the plate with the original screen screws. If they are not long enough to securely mount the screen, try the included screws.



K1-TS-S



K1-A1-S

6

Attach the Wall Plate to the Wall



Concrete anchors are not provided. To mount to a brick or concrete wall, purchase concrete anchors to accommodate the provided screws.



When mounting to a drywall or plaster wall, you should attach the wall plate to a 2X4 or larger wood stud to avoid property damage or personal injury.

1. Locate a stud in the wall where you want to mount the screen.
2. Drill pilot holes with a 1/8" drill bit.
3. Attach the wall plate to a stud using the provided black 2" long screws.



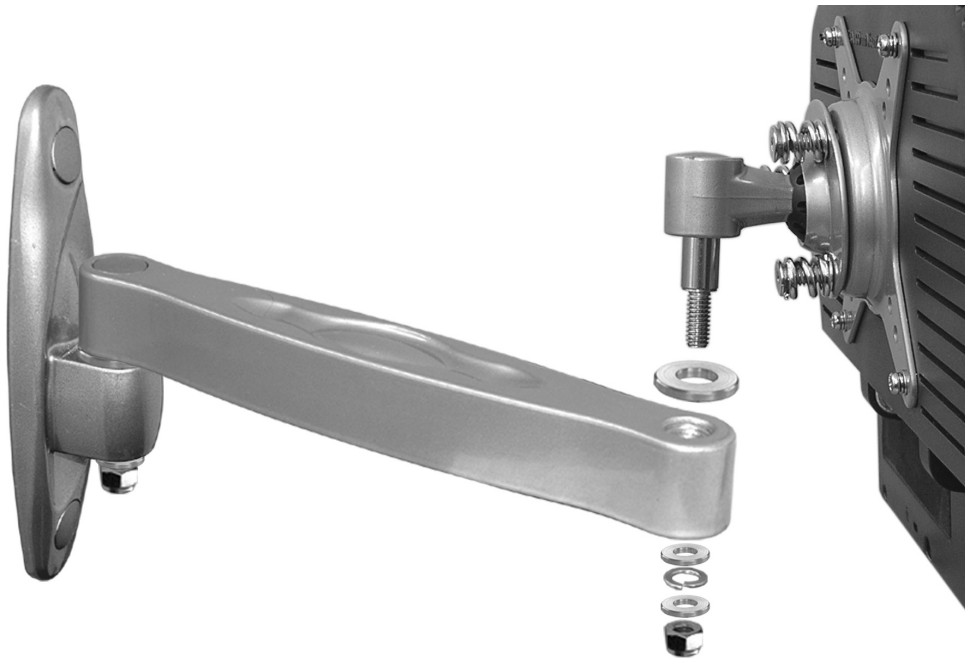
Assemble the Arm (K1-A1-S only)

1. Assemble the arm, and attach it to the wall plate.



8

K1-A1-S Attachment



10

K2-A1-S Installation Instructions

Attach the Screen Plate to the Screen



Caution: *With the screen plate in place, test the screw length to ensure that they do not extend past the screen hole depth and damage the screen.*

1. Position the screen plate on the screen as shown.
2. Attach the plate with the original screen screws. If they are not long enough to securely mount the screen, try the included screws.



Attach the Wall Plate to the Wall



Concrete anchors are not provided. To mount to a brick or concrete wall, purchase concrete anchors to accommodate the provided screws.



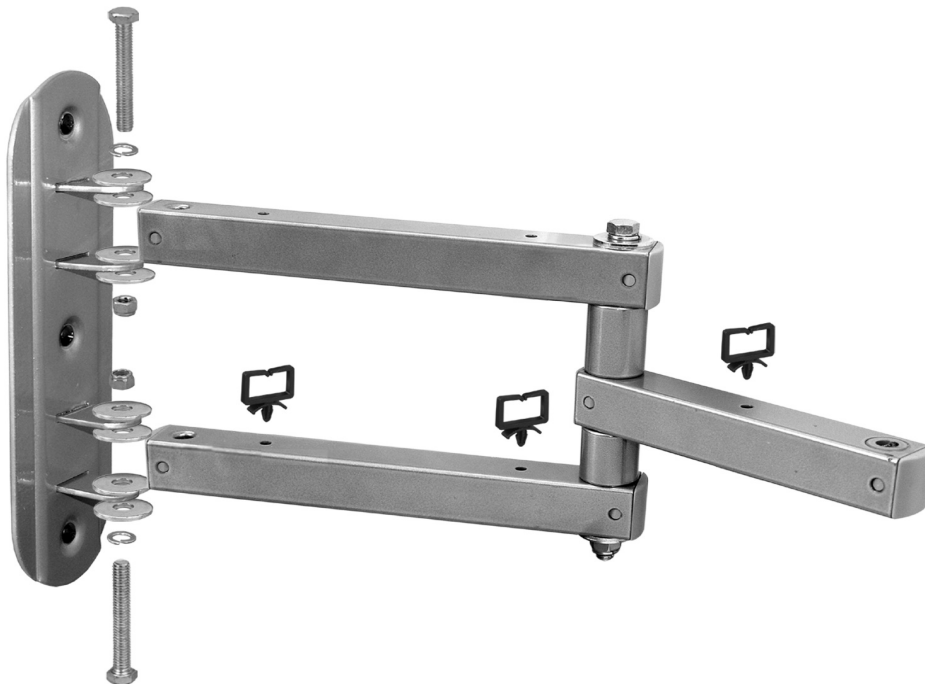
When mounting to a drywall or plaster wall, you should attach the wall plate to a 2X4 or larger wood stud to avoid property damage or personal injury.

1. Locate a stud in the wall where you want to mount the screen.
2. Drill pilot holes with a 1/8" drill bit.
3. Attach the wall plate to a stud using the provided black 2" long screws.



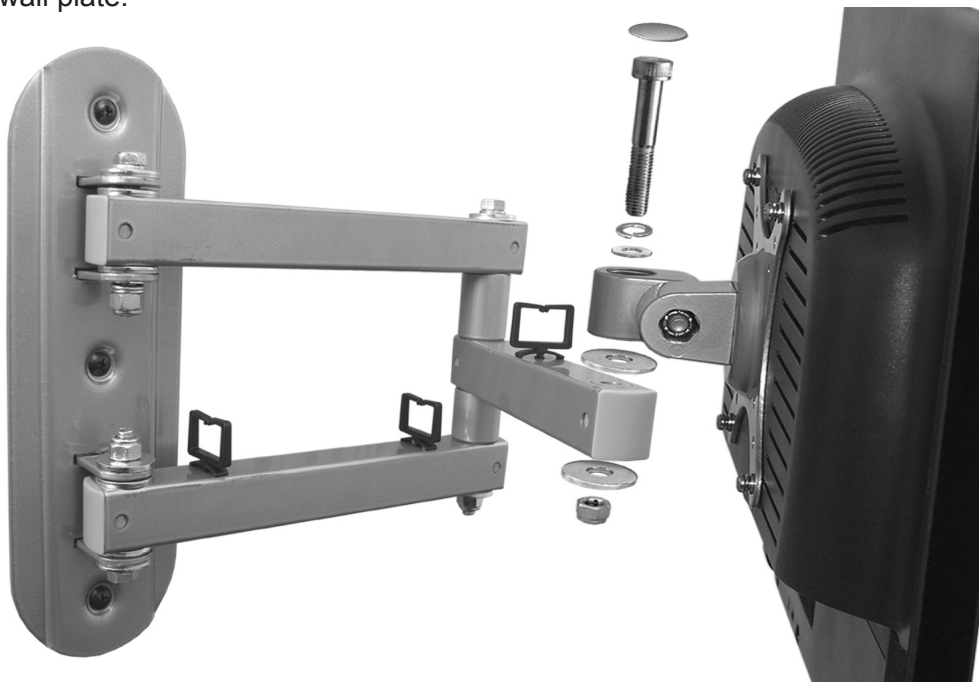
Assemble the Arm

1. Assemble the arm, and attach it to the wall plate.



Attach the Screen to the Arm

Using the included inside hex and outside hex wrenches, attach the screen to the wall plate.



14

K1-UC-S (Under-Cabinet Mount) Installation

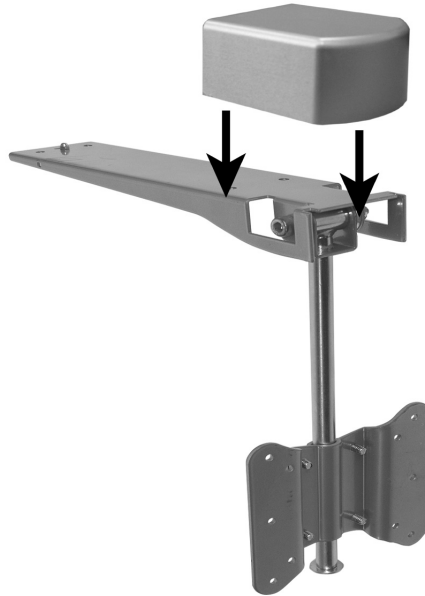
Drill the Mounting Holes

1. Remove the contents of your cabinet.
2. Hold the bracket under the cabinet where it will be mounted.
3. Insert a pen or pencil through the mounting holes and make marks where you need to drill.
4. Remove the mount and use a 1/4" drill bit to drill holes up through the cabinet bottom where marked.



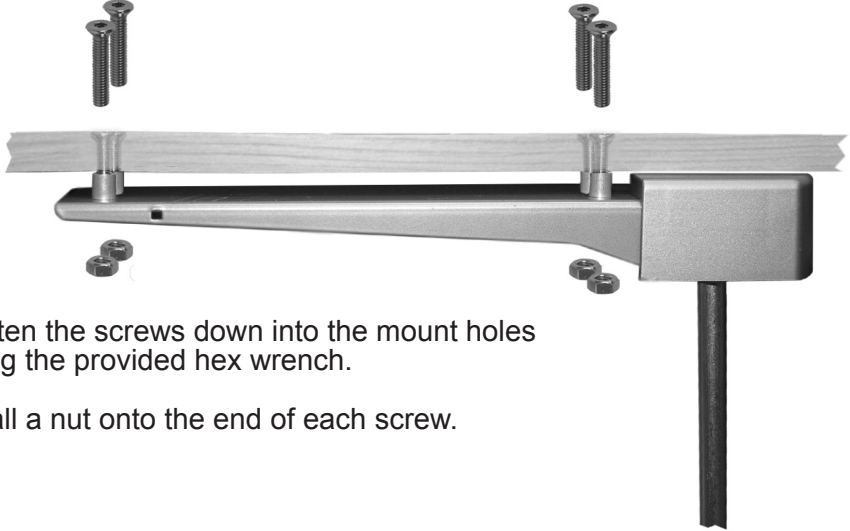
Attach the Front Cap Piece

1. Slide the cap piece onto the bracket as shown.



Attach the Mount to the Cabinet

1. Insert four mounting screws down through the holes drilled earlier.
2. Place a spacer on each screw between the cabinet bottom and the top of the mount.



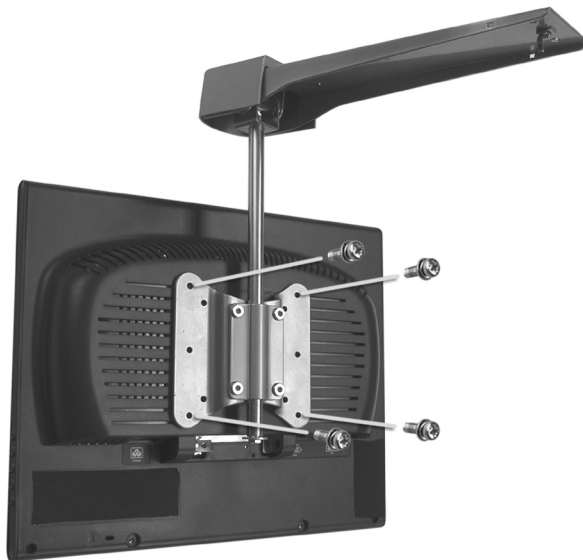
3. Tighten the screws down into the mount holes using the provided hex wrench.
4. Install a nut onto the end of each screw.

Attach the Screen to the Mount



Caution: *With the screen plate in place, test the screw length to ensure that they do not extend past the screen hole depth and damage the screen.*

1. Position the screen on the screen plate as shown.
2. Attach the plate with the original screen screws. If they are not long enough to securely mount the screen, try the included screws.



Specifications



Caution: *These mounting brackets are intended for use only with the maximum weights indicated. Use with products heavier than the maximum weights indicated may result in instability and cause injury.*

Model	VESA Support	Tilt Range	Ext. from Wall	Max. Load Weight
K1-F-S	60, 75 100mm	360 circle	1.75"	50 lbs
K1-TS-S	60, 75 100mm	20° up, 25°down, 60° side to side, 360° circle	3.38"	30 lbs
K1-A1-S	60, 75 100mm	20° up, 25°down, 105° side to side, 360° circle	2.81" - 10.81"	30 lbs
K2-A1-S	60, 75 100mm	30° up/down, 180° side to side	3" - 15.44"	50 lbs
K1-UC-S	60, 75 100mm	90° up/down, 360° side to side	12.50" min.	11 lbs

Copyright © 2005 K2Mounts. All rights reserved. R0

